

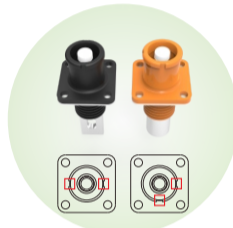
# Energy storage Connector



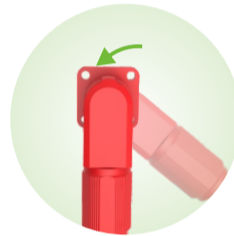
DEGSON has newly developed the high protection type energy storage connectors for modular energy storage battery system, The product design complies with the latest energy storage connector standard of UL4128, This series of products can cover the mainstream applications of residential and commercial energy storage, and can provide safe, fast and reliable connections for energy storage industry!

## Features

- Positive and negative mis-plug proof design, mismatching prevention.
- IP67 protection level, waterproof and dust proof.
- The socket Protection against electric shock.
- 360°rotated plug and socket to meet different wiring demands of customers.
- Waterproof socket.
- Three wiring method of socket tail : screw, crimp, and Busbar.



Positive and negative mis-plug proof design



360 °rotated plug and socket



Three wiring method of socket tail

## Technical Data

### UL4128 Standard electrical parameters

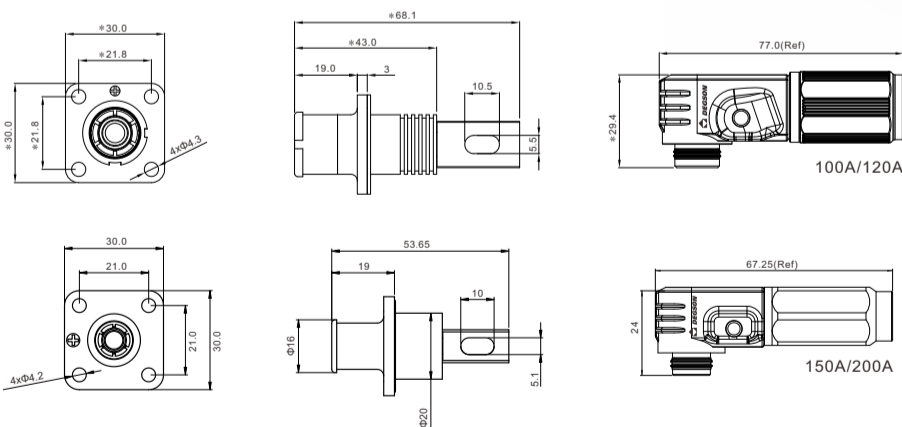
	16mm <sup>2</sup>	25mm <sup>2</sup>	35mm <sup>2</sup>	50mm <sup>2</sup>
Cross section	16mm <sup>2</sup>	25mm <sup>2</sup>	35mm <sup>2</sup>	50mm <sup>2</sup>
Rated current	100A	120A	150A	200A
Rated voltage	1000V DC			

### Other Information

Protection level	IP67
Mechanical life	>100 cycles
Insulating material	PA+GF
Ambient temperature	-40-125°C



## Dimension Drawing



## Application



## Ordering Data

NO.	Product Model	SAP Order NO.	Model Description
1	ESP-6-16-S-OR-0	2016000018	100A plug, orange (positive), 16mm <sup>2</sup>
2	ESP-6-25-S-OR-0	2016000014	120A plug, orange (positive), 25mm <sup>2</sup>
3	ESS-6-25-B-S-OR-0	2016000016	100A/120A socket, orange (positive), busbar type
4	ESP-6-16-S-BK-1	2016000017	100A plug, black (negative), 16mm <sup>2</sup>
5	ESP-6-25-S-BK-1	2016000013	120A plug, black (negative), 25mm <sup>2</sup>
6	ESS-6-25-B-S-BK-1	2016000015	100A/120A socket, black (negative), busbar type
7	ESP-8-35-S-OR-0	2016000007	150A plug, orange (positive), 35mm <sup>2</sup>
8	ESP-8-50-S-OR-0	2016000002	200A plug, orange (positive), 50mm <sup>2</sup>
9	ESS-8-50-B-S-OR-0	2016000005	150A/200A socket, orange (positive), busbar type
10	ESP-8-35-S-BK-1	2016000008	150A plug, black (negative), 35mm <sup>2</sup>
11	ESP-8-50-S-BK-1	2016000001	200A plug, black (negative), 50mm <sup>2</sup>
12	ESS-8-50-B-S-BK-1	2016000004	150A/200A socket, black (negative), busbar type